



# Series 3800

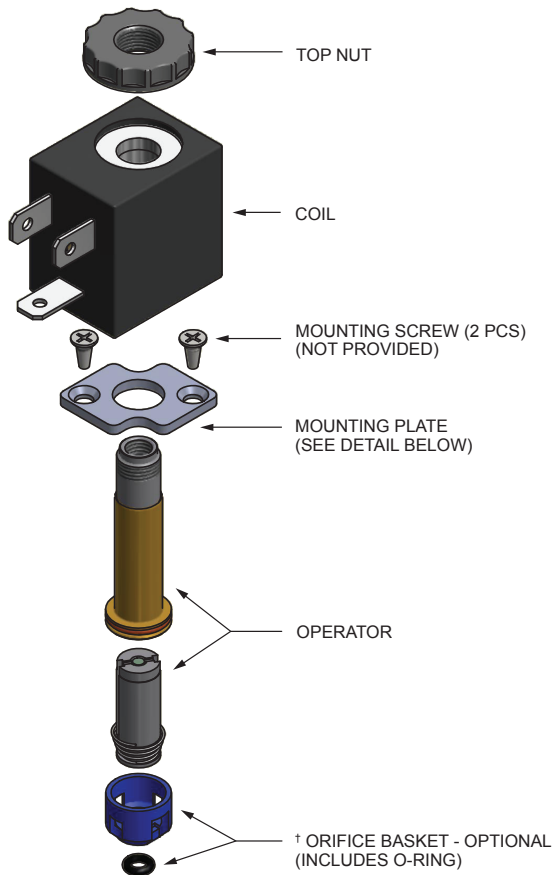
## Solenoid Operators Mini

The Spartan Scientific Series 3800 solenoid operators are specially designed for the pilot function of 3-Way & 4-Way pneumatic directional control valves. Available in plate mount, the operators are interchangeable with most solenoid operator interfaces. Sealing discs are spring compensated. Shading ring is standard so that both AC and DC coils can be used on all armatures. Coils are Glass-Filled Nylon encapsulated.

### Dimensional Data

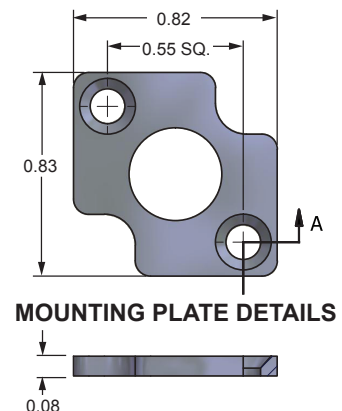
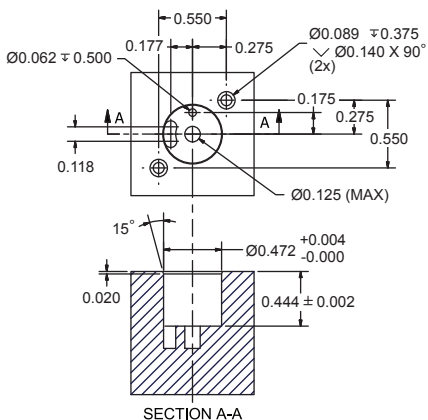
ALL DIMENSIONS ARE IN INCHES UNLESS OTHERWISE NOTED

SOLENOID OPERATORS



† Consult factory for part numbers and pricing.

### Orifice Basket / Armature Cavity Details





# Series 3800

## Solenoid Operators Mini

### Technical Data

**Function:** 2-Way, 2-Position; Solenoid Operating Pilot;  
Normally Closed or Normally Open.  
3-Way, 2-Position; Solenoid Operating Pilot;  
Diverting, Mixing, Normally Closed or Normally Open

**Orifice Sizes / Flow Factor:** 1.5mm  
0.08 Cv

**Pressure Range:** Vacuum to 200 psi (depending on orifice size and function)

**Temp. Range:** Fluid Max.: +90°C  
Dry Range: Ambient +10° to +50°C

**Response Time:** 12ms Complete Cycle

**Media:** Air, inert gases, light oil, water

**Environment Protection:** IP65 (IEC 144), NEMA 4  
Dust-tight and water resistant (with electrical connector)

**Mounting:** #4-40 x 0.25" long screws (2) or  
#4-40 x 0.37" long screws (2)  
(screws not provided)

**Wetted Materials:** Elastomers: EPDM, FKM, NBR  
(others available on request)  
Operator: 300 and 400 Series Stainless Steel and Brass  
Shading Ring: Copper (AC Only)  
Springs: 300 Series Stainless Steel

**Coil Data:** Duty Cycle: Continuous (within specifications)  
Encapsulation: Glass-Filled Nylon  
Insulation: Class F  
Power Rating: 6.5 Watt, 8.5VA VAC  
(others available on request)  
Voltage: 12, 24 VDC  
24, 120, 220, 240 VAC 50/60 Hz  
Voltage tolerance: +/- 10% Nominal  
Winding: Class H

**Connections:** Spades: Terminals AMP 6.3x0.8 width 11mm  
(Available in DIN 43650 Form "A" / ISO 4400,  
N175301-803:2006 for 3.0mm orifice or larger)  
Flying Lead: PVC 22 AWG, Multi-Strand Copper Wire,  
300V, 12" minimum length

**Packaged Weight:** 0.20 lbs.

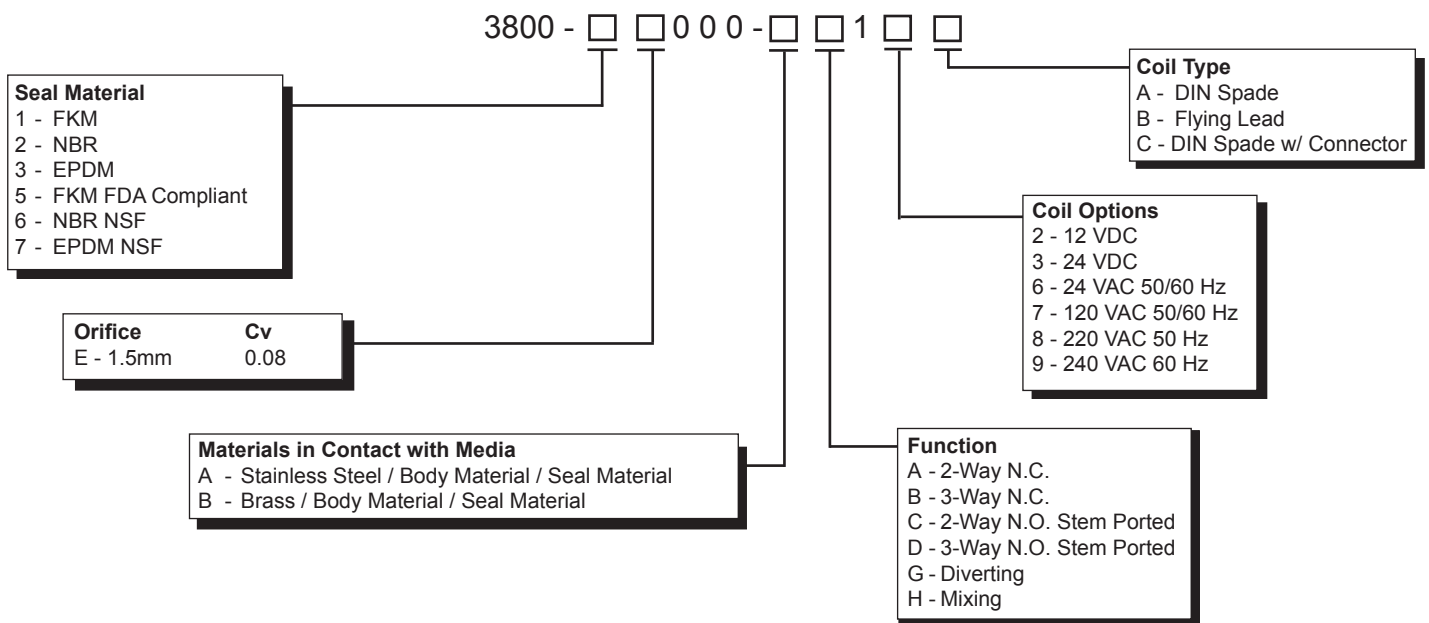
#### ORIFICE SIZE / VOLTAGE

FUNCTION	1.5mm		
		AC	DC
	2/2 NC	200	200
	2/2 NO	200	200
	3/2 NC	150	150
	3/2 NO	150	150
	3/2 Mix	100	90
	3/2 Div	120	110

MAX. PRESSURE RANGE (psi)

SOLENOID OPERATORS

### How To Order



Order Example: 3800-1E000-AA12A  
FKM, 1.5mm orifice, Stainless Steel / Body Material /  
Seal Material, 2-Way N.C., 12 VDC, DIN Spade.